

AS-M605 SOLAR MODULE

275 - 295 W_p
60 MONOCRYSTALLINE CELLS

„Full black“ Premium photovoltaic module
with PERC technology*
and higher efficiency
for improved BOS
and great aesthetic value

AEG solar modules combine the most advanced technology with high reliability in manufacture to offer you a product meant for high achievements. The full-black AEG solar module AS-M605 delivering up to 295 W_p features PERC coating, allowing extra cell efficiency and boosting the performances of your solar plant. The PERC (“Passivated Emitter Rear Cell”) process increases solar cell efficiency on p-type monocrystalline silicon thanks to rear-sided passivation and front and rear coating, granting higher light absorption, excellent low-light performances, reducing surface required and improving BOS. The full-black solar module with black frames and backsheets adds an extra aesthetic value to your installation. AEG solar modules feature the latest certifications to ensure the highest quality and reliability. Our production facilities comply with acknowledged international



system standards such as ISO 9001, 14001 and OHSAS 18001. The full-black AEG AS-M605 solar module offers a range of benefits as a 10 years limited product warranty as well as a linear power warranty for 25 years (power output no less than 97% of the minimum “Peak Power at STC” in the first year; power output decline no more than 0.7% per year thereafter).

*/**: available for higher Watt classes -from 280 W_p upwards.



PERC Technology

Plant optimization and
yield increase

Added aesthetical
value for residential

High module
conversion efficiency

Generalagent för AEG solenergiprodukter i Sverige



Falu Solenergi

www.falusolenergi.se

Häradsvägen 4
SE-790 25 Linghed, Sweden
+46 (0)70 654 52 58
info@falusolenergi.se

AEG

perfekt in form und funktion

AS-M605

60 cells pro module (156 x 156 mm / 6")

ELECTRICAL CHARACTERISTICS AT STC*:

Module type: AS-M605**

		275	280	285	290	295
Nominal Power (P_{max})	[Wp]	275	280	285	290	295
Tolerance on Nominal Power P_{max}^{***}	[Wp]	-0 / +5	-0 / +5	-0 / +5	-0 / +5	-0 / +5
Maximum Power Voltage (V_{mp})	[V]	31.4	31.7	32.0	32.3	32.6
Maximum Power Current (I_{mp})	[A]	8.76	8.84	8.91	8.98	9.05
Open Circuit Voltage (V_{oc})	[V]	38.4	38.7	39.2	39.6	40.0
Short Circuit Current (I_{sc})	[A]	9.28	9.39	9.47	9.54	9.62
Module Efficiency (η_m)		16.9%	17.2%	17.5%	17.8%	18.1%
Maximum System Voltage	[V]	1000	1000	1000	1000	1000
Series Fuse Maximum Rating	[A]	15	15	15	15	15

TEMPERATURE CHARACT. : (275 Wp)

NOCT	45°C ± 2°C
P_{max} Temp. Coeff. (γ)	-0.44 %/°C
V_{oc} Temp. Coeff. (β)	-0.35 %/°C
I_{sc} Temp. Coeff. (α)	0.04%/°C
Operating temperature	-40°C to + 85°C

TEMPERATURE CHARACT. : (280-295 Wp)

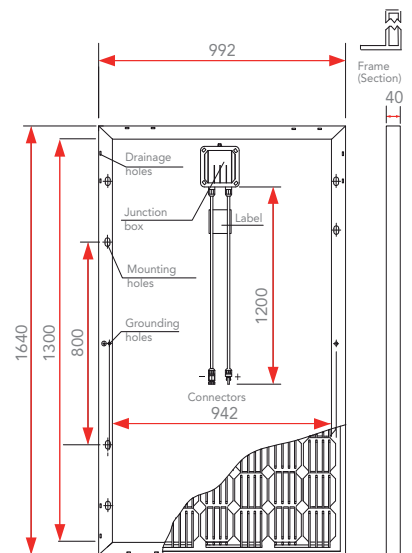
NOCT	45°C ± 2°C
P_{max} Temp. Coeff. (γ)	-0.40 %/°C
V_{oc} Temp. Coeff. (β)	-0.32 %/°C
I_{sc} Temp. Coeff. (α)	0.06%/°C
Operating temperature	-40°C to + 85°C

MECHANICAL CHARACTERISTICS:

Solar Cells	60 (6 x 10) monocrystalline silicon, 156 x 156 mm (6") solar cells
Front Glass	3.2 mm (0.13") high-transparency AR coating glass
Backsheet	black backsheet
Encapsulant	EVA (Ethylene-Vinyl Acetate)
Frame	Anodized aluminum alloy, black
Junction Box	IP67 rated, 3 bypass diodes
Cables	UV resistant cable 1100/1200 mm (43.3/47.2"), sec.4.0 mm ² (12 AWG)
Connectors	MC4 compatible connectors
Dimensions	1640 x 992 x 40 mm (64.5 x 39.1 x 1.57 ")
Weight	18.5 kg (40.79 lbs)
Max. Load	Wind: 2400 Pa / Snow: 5400 Pa

PACKING CONFIGURATION:

Packing Configuration	26 pcs / pallet	Loading Capacity	728 pcs / 40 ft HC
-----------------------	-----------------	------------------	--------------------



*Standard Test Conditions (STC): Irradiance 1000 W/m², Air Mass AM = 1.5, Cell Temperature 25°C; Power measurement uncertainty within ± 3%.

** PERC Technology deployed from 280 Wp upwards.

*** AEG photovoltaic modules are classified according to a principle of positive power tolerance: the Power Output measured at STC of the delivered module exceeds their assigned Nameplate Nominal Power at STC within a power tolerance range between -0 Wp and +5 Wp.

Module dimensions in the technical picture are expressed in mm with tolerance ±2 mm (±0.079 "). © Solar Solutions GmbH. Specifications in this datasheet are subject to change without notice. Code: AS-M605B-P-O6N1-4BB 275-295 version 201701.1.EN

Generalagent för AEG solenergi produkter i Sverige



Falu Solenergi

www.falusolenergi.se
info@falusolenergi.se

+46 (0)70-654 52 58

AEG

perfekt in form und funktion