

AS-M605 SOLAR MODULE

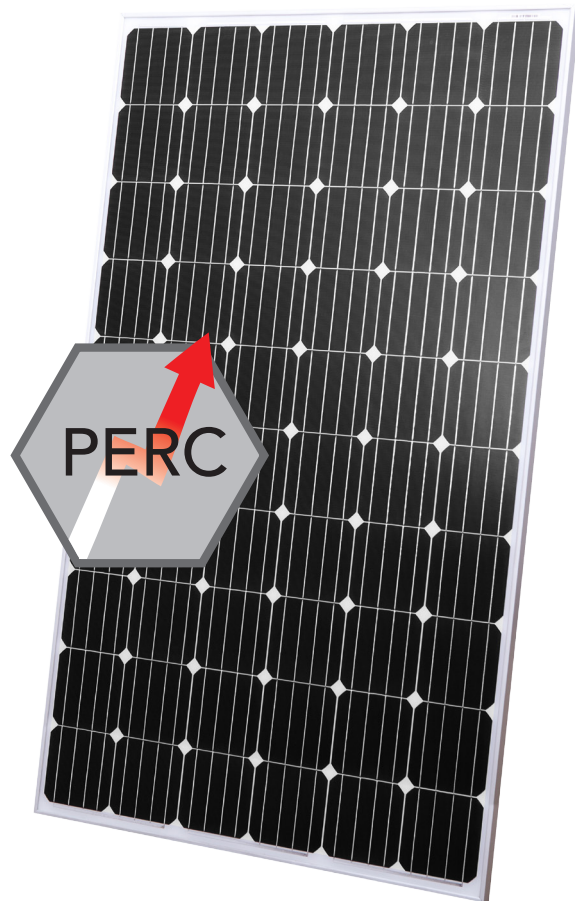
275 - 300 Wp
60 MONOCRYSTALLINE CELLS

Premium photovoltaic module for high efficiency and improved BOS. With PERC technology*.

AEG solar modules combine the most advanced technology with high reliability in manufacture to offer you a product meant for high achievements. The AEG solar module AS-M605 delivering up to 300 Wp features PERC coating**, which allows you to gain extra cell efficiency and boost the performances of your solar plant.

The PERC ("Passivated Emitter Rear Cell") process increases solar cell efficiency on p-type monocrystalline silicon thanks to rear-sided passivation and front and rear coating, granting higher light absorption, excellent low-light performances, reducing surface required and improving BOS.

AEG solar modules are compliant with the requirements of the latest standards to guarantee safety and reliability. Our production facilities comply with



acknowledged international system standards such as ISO 9001, 14001 and OHSAS 18001.

The AEG AS-M605 solar module offers a range of benefits as a 10 years limited product warranty as well as a linear power warranty for 25 years (power output no less than 97% of the minimum "Peak Power at STC" in the first year; power output decline no more than 0.7% per year thereafter).

*/**: available for higher Watt classes -from 290 Wp upwards.



PERC Technology



Plant optimization and yield increase



Excellent low light performance



High module conversion efficiency



Falu Solenergi

www.falusolenergi.se

AEG

perfekt in form und funktion

AS-M605

60 cells pro Module (156 x 156 mm / 6")

ELECTRICAL CHARACTERISTICS AT STC*:

Module type: AS-M605**

		275	280	285	290	295	300
Nominal Power (P _{max})	[Wp]	275	280	285	290	295	300
Tolerance on Nominal Power P _{max} ***	[Wp]	-0 / +5	-0 / +5	-0 / +5	-0 / +5	-0 / +5	-0 / +5
Maximum Power Voltage (V _{mp})	[V]	31.5	31.7	31.8	31.8	32.0	32.2
Maximum Power Current (I _{mp})	[A]	8.74	8.84	8.97	9.12	9.22	9.33
Open Circuit Voltage (V _{oc})	[V]	38.60	38.90	39.2	39.2	39.4	39.5
Short Circuit Current (I _{sc})	[A]	9.30	9.41	9.47	9.65	9.73	9.84
Module Efficiency (η _m)		16.9%	17.2%	17.5%	17.8%	18.1%	18.4%
Maximum System Voltage	[V]	1000	1000	1000	1000	1000	1000
Series Fuse Maximum Rating	[A]	15	15	15	15	15	15

TEMPERATURE CHARACT. (275-285 Wp)

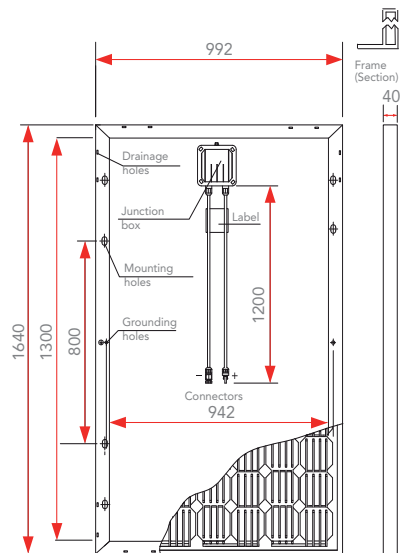
NOCT	45°C ± 2°C
P _{max} Temp. Coeff. (γ)	-0.44 %/°C
V _{oc} Temp. Coeff. (β)	-0.35 %/°C
I _{sc} Temp. Coeff. (α)	0.04%/°C
Operating temperature	-40°C to + 85°C

TEMPERATURE CHARACT. (290-300 Wp)

NOCT	45°C ± 2°C
P _{max} Temp. Coeff. (γ)	-0.40 %/°C
V _{oc} Temp. Coeff. (β)	-0.31 %/°C
I _{sc} Temp. Coeff. (α)	0.06%/°C
Operating temperature	-40°C to + 85°C

MECHANICAL CHARACTERISTICS:

Solar Cells	60 (6 x 10) monocrystalline silicon, 156 x 156 mm (6") solar cells
Front Glass	3.2 mm (0.13") high-transparency AR coating glass
Backsheet	White backsheet
Encapsulant	EVA (Ethylene-Vinyl Acetate)
Frame	Anodized aluminum alloy, silver or black
Junction Box	IP67 rated, 3 bypass diodes
Cables	UV resistant cable 1100/1200 mm (43.3/47.2"), sec.4.0 mm ² (12 AWG)
Connectors	MC4 compatible connectors
Dimensions	1640 x 992 x 40 mm (64.5 x 39.1 x 1.57 ")
Weight	18.5 kg (40.79 lbs)
Max. Load	Wind: 2400 Pa / Snow: 5400 Pa



*Standard Test Conditions (STC): Irradiance 1000 W/m², Air Mass AM = 1.5, Cell Temperature 25°C; Power measurement uncertainty within ± 3%.

** PERC Technology deployed from 290 Wp upwards.

*** AEG photovoltaic modules are classified according to a principle of positive power tolerance: the Power Output measured at STC of the delivered modules exceeds their assigned Nameplate Nominal Power at STC within a power tolerance range between -0 Wp and +5 Wp.

Module dimensions in the technical picture are expressed in mm with tolerance ±2 mm (±0.079 "). © Solar Solutions GmbH. Specifications in this datasheet are subject to change without notice. Code: AS-M605-P-O6N1-4BB 275-300 version 201701.1.EN



Falu Solenergi

www.falusolenergi.se
info@falusolenergi.se

+46 (0)70-654 52 58

PACKING CONFIGURATION:

Packing Configuration	26 pcs / pallet	Loading Capacity	728 pcs / 40 ft HC
-----------------------	-----------------	------------------	--------------------

AEG
perfekt in form und funktion